



# GS



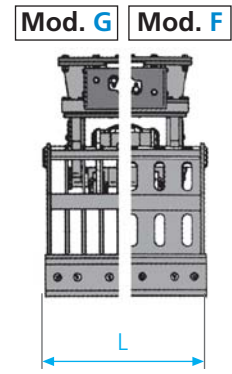
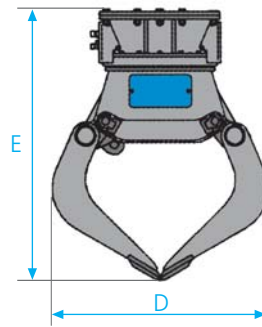
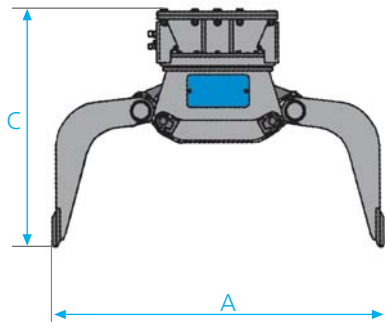
Ton. 3,0 → 12,0

RIFIUTI  
WASTE MATERIALS  
DEMOLIZIONI  
DEMOLITIONS

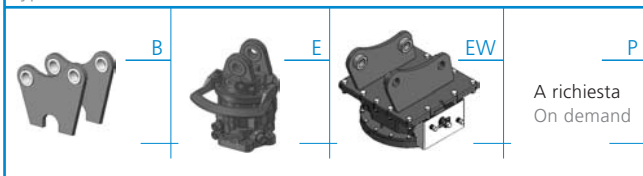


Con lame  
in acciaio antiusura 450 HB.  
With hardwearing  
450HB steel blades.





Tipo di attacchi disponibili  
Type of link



Modello Model	Tipo attacco Type of link	Capacità Capacity	Peso Weight	Pressione Pressure	Forza max in punta Force max on top		Dimensioni Dimensions				
		m <sup>2</sup>	Kg.	Max Bar	Ton.	Ton.	A	C	D	E	L
<b>GS 18-F-300</b>	<b>B</b>	30	58	180	1300	1,2-1,8	700	730	490	790	<b>300</b>
<b>GS 18-F-300</b>	<b>E(4.5 Ton)</b>	30	75	180	1300	1,2-1,8	700	905	490	965	<b>300</b>
<b>GS 18-F-300</b>	<b>EW</b>	30	98	180	1300	1,2-1,8	700	730	490	790	<b>300</b>
<b>GS 25-F-400</b>	<b>B</b>	60	113	220	1900	1,8-2,5	900	800	600	890	<b>400</b>
<b>GS 25-F-400</b>	<b>E(4.5 Ton)</b>	60	130	220	1900	1,8-2,5	900	975	600	1065	<b>400</b>
<b>GS 25-F-400</b>	<b>EW</b>	60	153	220	1900	1,8-2,5	900	800	600	890	<b>400</b>
<b>GS 40-F-500</b>	<b>B</b>	100	151	240	2400	2,5-4,0	1100	860	690	990	<b>500</b>
<b>GS 40-F-500</b>	<b>E(4.5 Ton)</b>	100	168	240	2400	2,5-4,0	1100	1035	690	1165	<b>500</b>
<b>GS 40-F-500</b>	<b>EW</b>	100	213	240	2400	2,5-4,0	1100	860	690	990	<b>500</b>
<b>GS 75-F-600</b>	<b>B</b>	140	256	275	2900	4,0-7,5	1300	980	870	1100	<b>600</b>
<b>GS 75-F-600</b>	<b>E(6 Ton)</b>	140	290	275	2900	4,0-7,5	1300	1155	870	1275	<b>600</b>
<b>GS 75-F-600</b>	<b>EW</b>	140	356	275	2900	4,0-7,5	1300	980	870	1100	<b>600</b>
<b>GS 75-G-600</b>	<b>B</b>	180	270	275	2900	4,0-7,5	1300	980	870	1100	<b>600</b>
<b>GS 75-G-600</b>	<b>E(6 Ton)</b>	180	304	275	2900	4,0-7,5	1300	1155	870	1275	<b>600</b>
<b>GS 75-G-600</b>	<b>EW</b>	180	370	275	2900	4,0-7,5	1300	980	870	1100	<b>600</b>
<b>GS 120-F-700</b>	<b>B</b>	220	345	350	3200	7,5-12	1500	1040	950	1220	<b>700</b>
<b>GS 120-F-700</b>	<b>E(6 Ton)</b>	220	379	350	3200	7,5-12	1500	1290	950	1470	<b>700</b>
<b>GS 120-F-700</b>	<b>EW</b>	220	455	350	3200	7,5-12	1500	1040	950	1220	<b>700</b>
<b>GS 120-F-700</b>	<b>B</b>	290	387	350	3200	7,5-12	1500	1040	950	1220	<b>700</b>
<b>GS 120-F-700</b>	<b>E(6 Ton)</b>	290	421	350	3200	7,5-12	1500	1290	950	1470	<b>700</b>
<b>GS 120-F-700</b>	<b>EW</b>	290	497	350	3200	7,5-12	1500	1040	950	1220	<b>700</b>

Peso escavatore  
Excavator weight

#### ACCESSORI - OPTIONS

	Staffa basculante per escavatori dal peso Suspension for excavators weight	Ton. 1-8 Ton. 8-12
	Paratie laterali Side closing plate	
	Paratie laterali dentate Side closing plate	